

PSET KICUKIRO DISTRICT MOCK 2013

SECTION A (50 marks)

1. Why do we breathe faster (pant) when we are scared?

2. Why should a fainting person be put in a place where there is enough fresh air?

3. There are hairs and mucus in the human nose. Of what importance are the two in the human nose? -----
4. State any one thing that happens to air we breathe in before entering the lungs.

5. Metallic objects should be wiped (cleaned) and kept in a dry place in order to

6. (a). Day and night are caused by

(b). Only the moon and other stars are seen during the night. Why isn't the sun?

7. Suggest any one cause of soil erosion.

8. Describe what happens to a nail when it is put very close to a magnet.

9. Copper is metallic and is a good conductor of electricity. It can therefore be attracted by a magnet. Is this statement **true** or **false**?

10. (a). When is a shadow formed?

(b). Identify any one type of eclipse

11. (a). Give two components of solar installation

(b). Of what importance is a solar panel in a solar installation?

(c). Solar energy is got from the

12. Which part of the ear is likely to be damaged when you clean your ears with a sharp pointed object? _____
13. What is the role of Eustachian tube in the human ear?

14. (a). State one reason to explain why certain foods should be transformed.

- (b). If Mr. Rwankuba has caught a fish from Lake Kivu and would like to keep it for a week. What two methods would you advise him in order to preserve the caught fish?

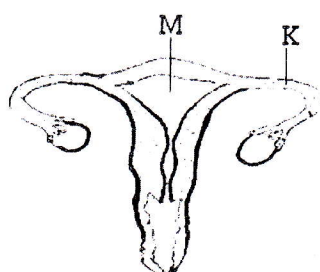
15. Name a water borne disease that attacks the skeletal system

16. (a). Modern technology has made it possible to store sound. Give two ways of storing sound

- (b). Of what importance are echoes to bats?

- (c). Vuguziga stood and shouted loudly in an empty house, as she shouted, she heard other similar sounds after hers. What caused the similar sounds?

17. The diagram below shows the structure of the female reproductive system. Use it to answer questions below.



Identify any one process that takes place in

M: _____

K: _____

18. State any two similar secondary sexual characteristics in both boys and girls during puberty.

19. Describe the use of tears in the mammalian eyes.

20. Where in the human eye are the images formed?

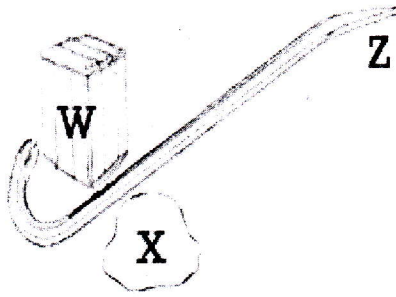
21. Identify the lens used to correct short-sightedness (myopia).

22. Name the vitamin a child gets from the sun's energy.

23. Goitre is a disease characterized by swelling of the thyroid glands. What causes it? -----
24. Choose and circle the best alternative
- A space which contains absolutely nothing is called a/an
 - empty space
 - volume
 - air space
 - vacuum
 - A small stone was gently immersed into a measuring cylinder containing some water. Before immersing the stone, the volume of water in the measuring cylinder was 15cc. After immersing the stone, the volume of water rose to 25cc. the volume of stone is therefore:
 - 25 cc
 - 15 cc
 - 40 cc
 - 10 cc
 - It is correct to state that light:
 - is a form of energy
 - can be weighed
 - is a form of matter
 - is not a form of matter
 - When an object is reflected in a plane mirror, it is reserved from left to right. We say that it is
 - upside down
 - laterally inverted
 - virtual
 - upright
25. Gahongayire weighs 60kg. She sits 1.5m from the fulcrum of the see-saw. How far from the fulcrum will Japheth who weighs 30kg sit in order to balance with Gahongayire?

(b). A mass of 500g is moved through a distance of 40cm. Calculate the work done.

(c). The diagram below is of a crow bar.



i. Identify what part labelled W, X and Z represented on the crow bar

W: _____

X: _____

Y: _____

ii. By the aid of an arrow (\uparrow), show the direction of the effort on the diagram above.

26. How many sperm cells can fertilize an ovum?

27. Name the contagious disease which has neither a vaccine nor treatment.

28. Sarah of Nyacyondo primary school put ice in a saucepan and put it on a burning charcoal and heated it for 2 minutes.

(a). What do you think she saw in the saucepan after 2 minutes?

(b). What happened to the ice?

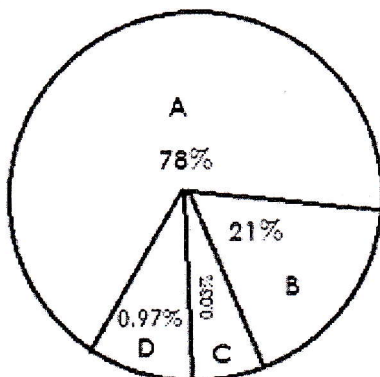
29. To boil water in a saucepan, heat is applied underneath the saucepan. By which method of heat transfer does heat from the fire reach the water at the top in the saucepan? _____

30. Name any one artificial source of heat.

SECTION B (50 marks)

31. Burning bushes releases carbon dioxide and carbon mono dioxide gases into the atmosphere. Name two environmental problems that the gases may cause.

32. The pie chart below represents the proportions of air in the atmosphere. Use it to answer questions that follow.



(a). Which letter represents the gas that is used in the fire extinguisher? _____

(b). State any use of the gas represented by letter B _____

(c). Name the gases represented by letters A and C

A: _____

C: _____

33. The bottle below contains soda.



(i). Why was the space labelled K left in the bottle?

(ii). Name the gas that bubbles out when the bottle is opened.

34. What is present in the human skin that determines its colour?

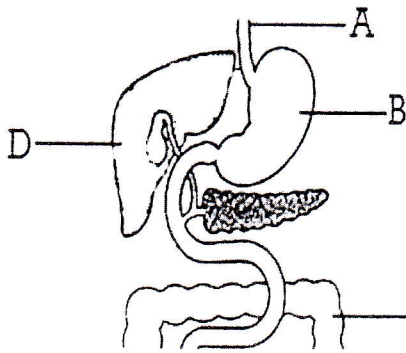
35. Mention any one source of income for a family.

36. (a). Mention any two activities that can pollute water from the water source.

(b). Mugisha fetched water from river Nyabugogo and drank it immediately.

Identify any two diseases he is most likely to suffer from.

37. The diagram below shows part of the digestive system.



(a). Name the parts A and D

A: _____

D: _____

(b). Which class of food is digested in part B

(c). What takes place in part C?

38. (a). "Matter can change from one state to another". State any two relevant examples to support the above statement.

(b). Name the process by which liquid water turns into ice.

(c). When does an object sink in water?

(d). Define "mass"

39. In the space below, draw a well labelled structure of a female reproductive organ of a flower.

(b). State the use of each of the parts below to a plant

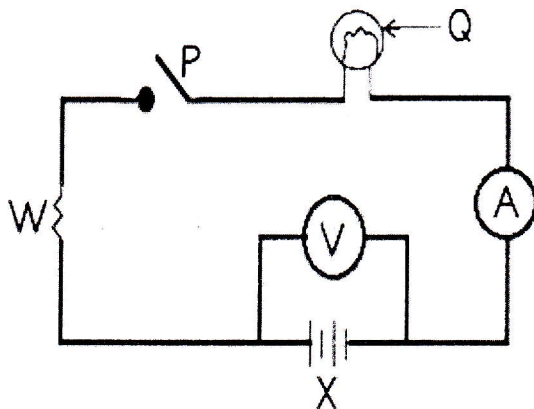
(i). Roots _____

(ii). Leaves _____

(c). mention any two differences between insect pollinated flowers and wind pollinated flowers.

(d). By what means are sugar canes propagated?

40. The diagram below shows a simple electric circuit



(a). Name the parts W, P, Q, V, X and A

W: _____

P: _____

Q: _____

V: _____

X: _____

A: _____

(b). Electric cables are made of copper wires which are covered by plastic materials. Why are plastic materials used to cover copper wires?

(c). Mention any two preventive measures of dangers associated with electricity.

41. Differentiate between warm blooded animals and cold blooded animals.

42. (a). In what way is a bat different from other mammals?

(b). State one reason to explain why a frog is able to live comfortably in water and on land. -----

(c). Of what importance are spiracles to an insect?

43. Complete the following:

(a). Birds are to nests as spiders are to -----

(b). Mandibles are to grasshoppers as ----- are to mosquitoes.

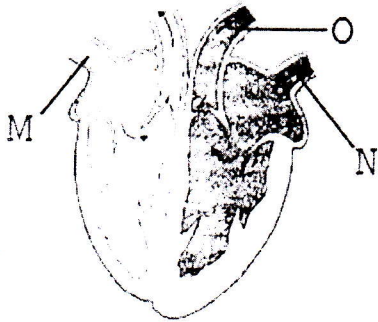
44. What is the role of each of the following body organs during blood circulation?

(a). The heart -----

(b). The lungs -----

(c). The kidneys -----

45. Study the diagram below and answer the questions that follow.



(a). To which blood system does the diagram belong?

(b). Which type of blood circulates through blood vessel O? -----

(c). Name the blood vessels M and N

M: -----

N: -----

Wish you success!!